



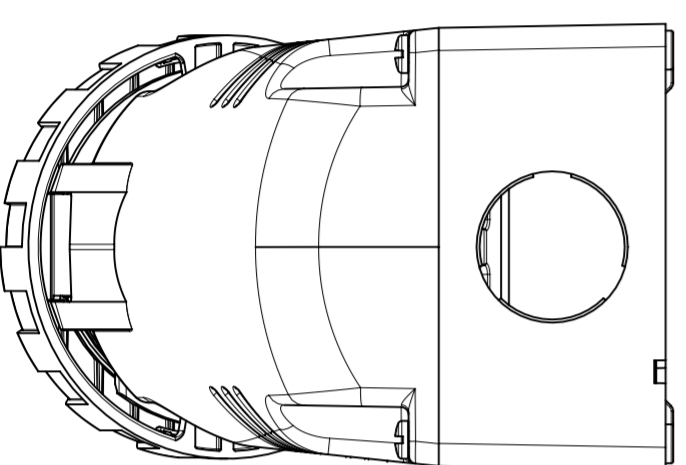
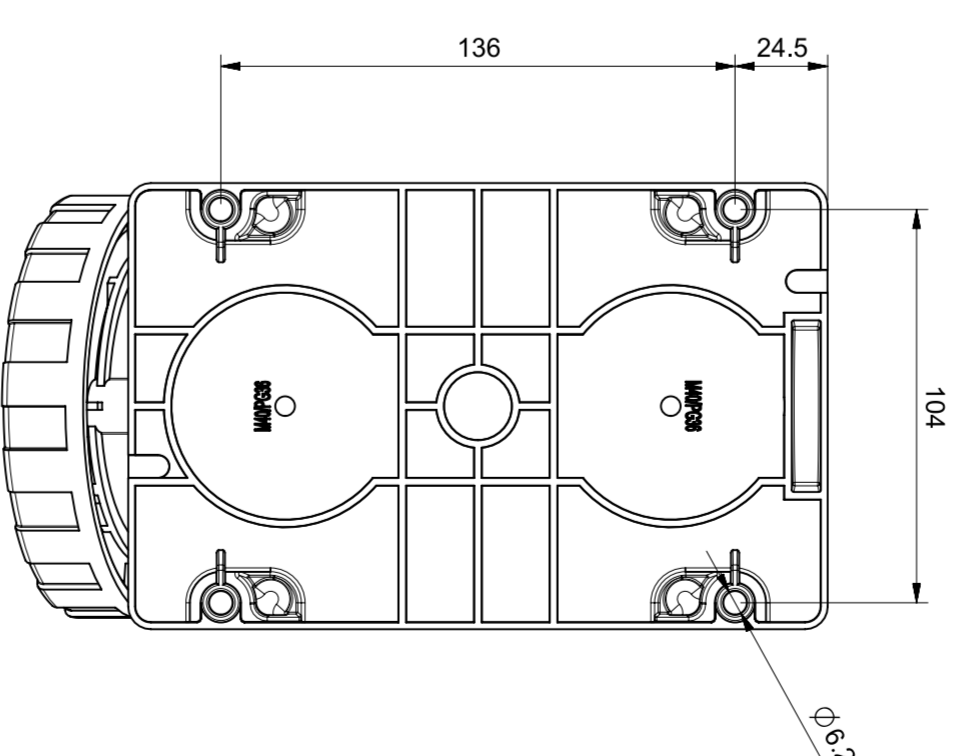
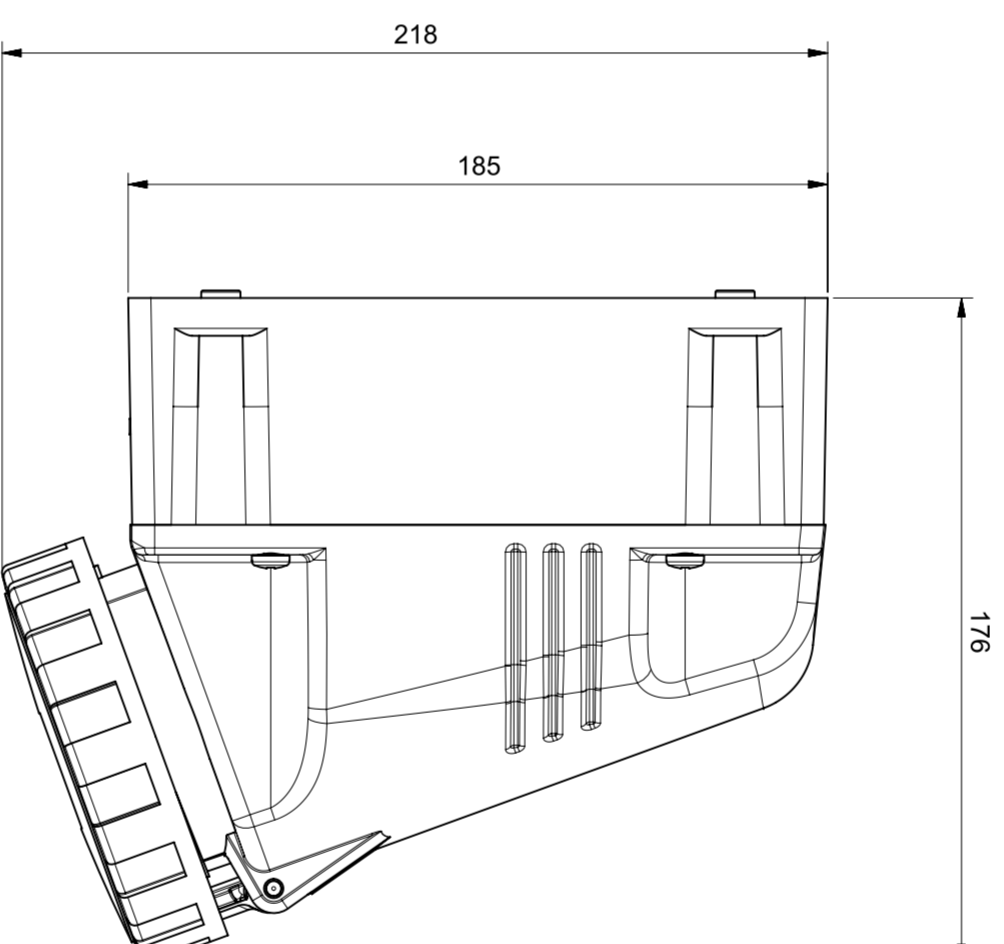
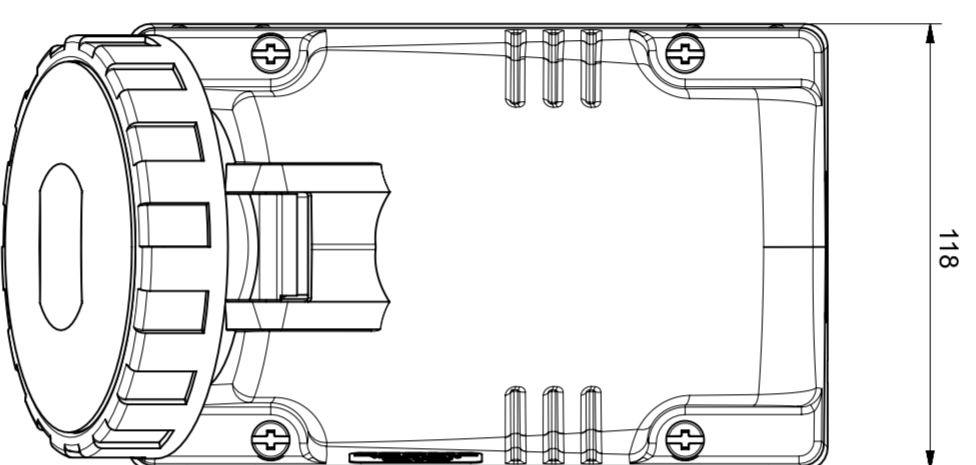
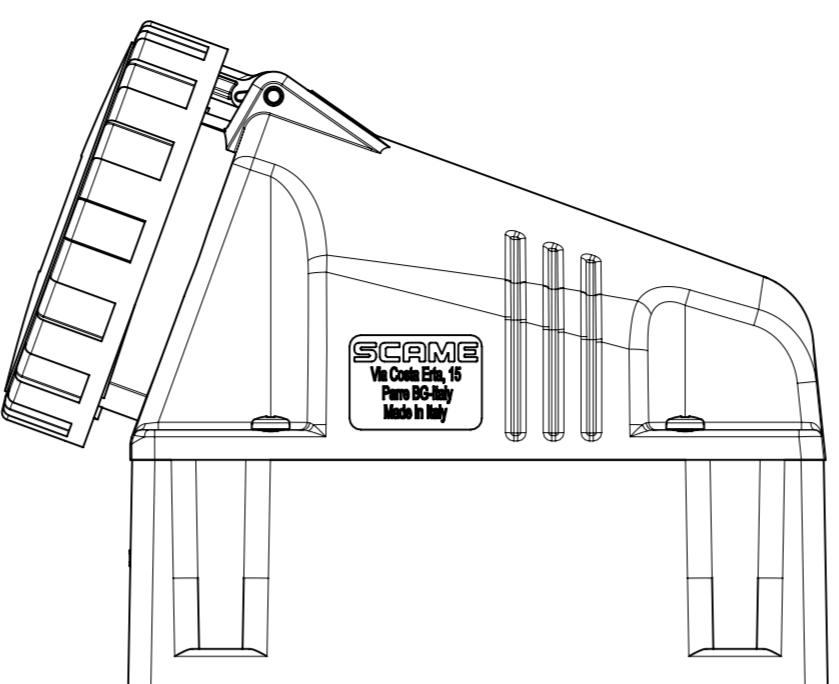
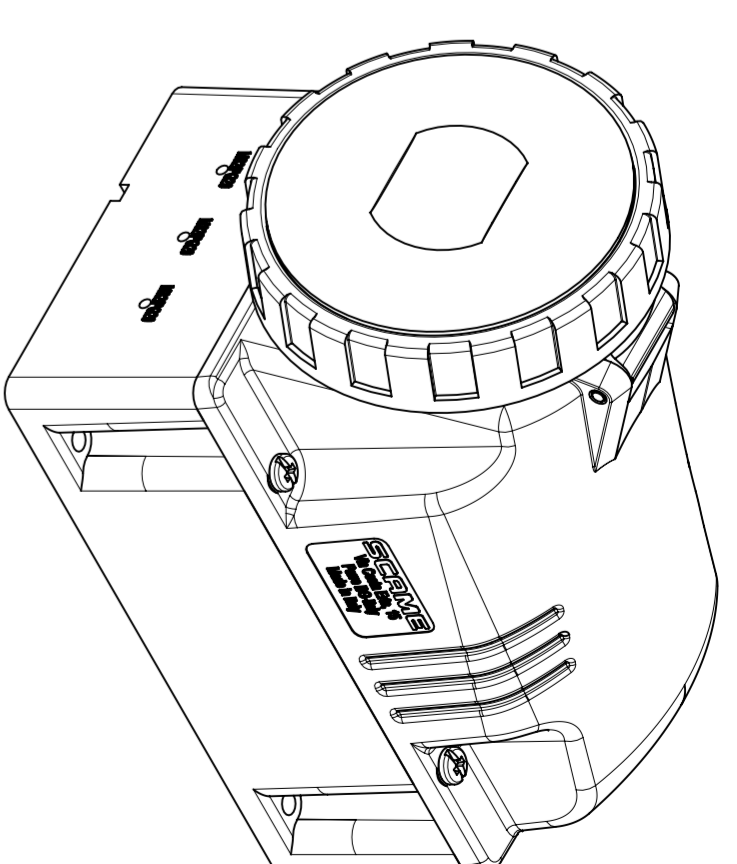
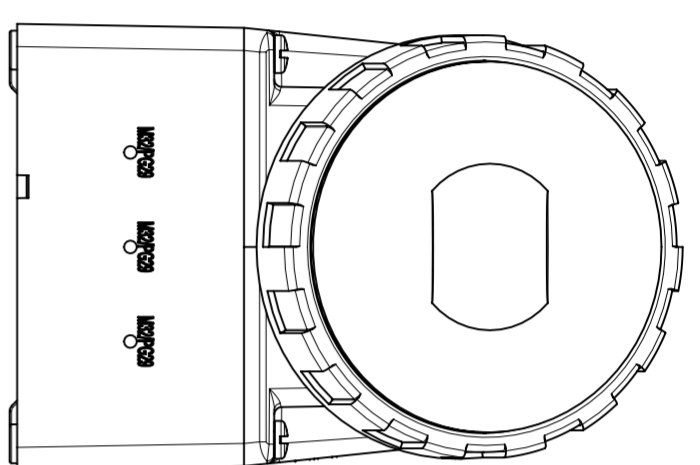
# 518.63566T

## BASE MURAL

63A 3P+T 7h 480-500V 50Hz 60Hz Bornes  
conexión brida tornillo

Product Approvals

TECHDATA		STANDARDS AND LAWS	
Tipo de producto	BASE MURAL	EN 60309-1 (1999)	[European Standard] Plugs, socket-outlets and couplers for industrial purposes. Part 1: General requirements
Serie comercial	Serie OPTIMA-TOP	EN 60309-2 (1999)	[European Standard] Plugs, socket-outlets and couplers for industrial purposes. Part 2: Dimensional interchangeability requirements for pin and contact-tube accessories of harmonized configurations
Descripción sintética	BASE MURAL		
Tipo de instalación	MURAL		
Intensidad nominal	63A	EN 60309-1/A1 (2007)	[European Standard] Plugs, socket-outlets and couplers for industrial purposes. Part 1: General requirements
Polos	3P+T	EN 60309-2/A1 (2007)	[European Standard] Plugs, socket-outlets and couplers for industrial purposes. Part 2: Dimensional interchangeability requirements for pin and contact-tube accessories of harmonized configurations
Posición de hora	7h		
Tensión nominal (range)	400-up	EN 60309-1/A2 (2012)	[European Standard] Plugs, socket-outlets and couplers for industrial purposes. Part 1: General requirements
Tensión nominal	480-500V	EN 60309-2/A2 (2012)	[European Standard] Plugs, socket-outlets and couplers for industrial purposes. Part 2: Dimensional interchangeability requirements for pin and contact-tube accessories of harmonized configurations
Frecuencia nominal	60Hz		
Frecuencia nominal	50Hz		
Color	NEGRO	DIRECTIVE LOW VOLTAGE 2014/35 /UE	[European Directives] Low Voltage Directive
Grado de protección	Watertight		
Grado de protección IP	IP66/IP67/IP69		
Tipos de salidas disponibles	INCLINADA		
Bornes	Bornes conexión brida tornillo		
Salida del cable	M40X1,5		



At the end of the law, we reserve the ownership of this design may not be copied and transfer it to third parties or competitors		Format	A2	Scale	1:2	Mould N°	1000XXXX	Drawn	SCAME
Tolerances for linear and angular dimensions without indication of specific tolerances: JS13 / UNI 2861:2010		DESCRIPTION	PRESA PARETE 3P+T IP66/IP67 63A				Date		
						Approved			


  
 S.p.A.
   
 PARRE - (Bergamo)

CODE 4004003
   
 Sheet 1 / 1