



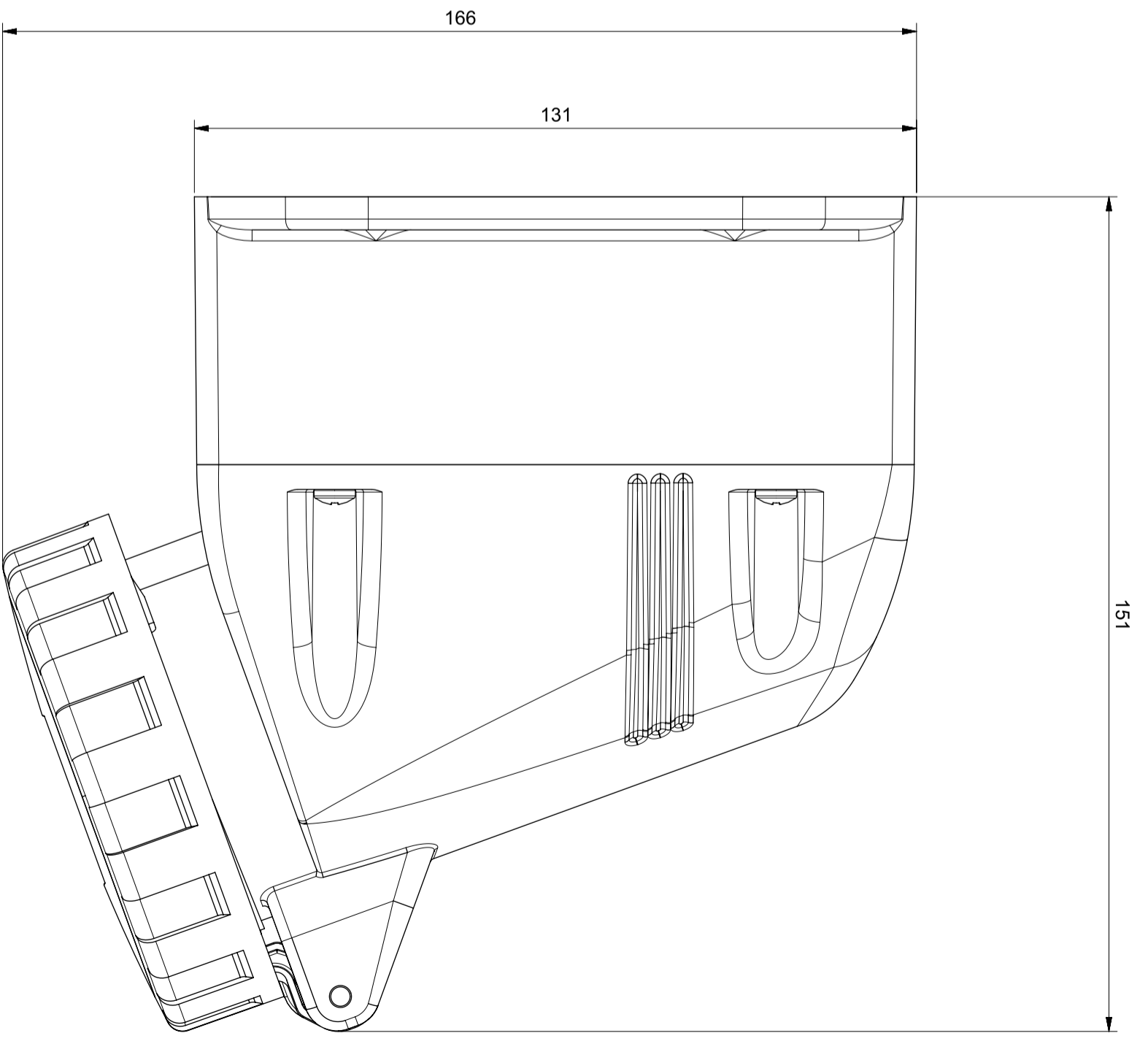
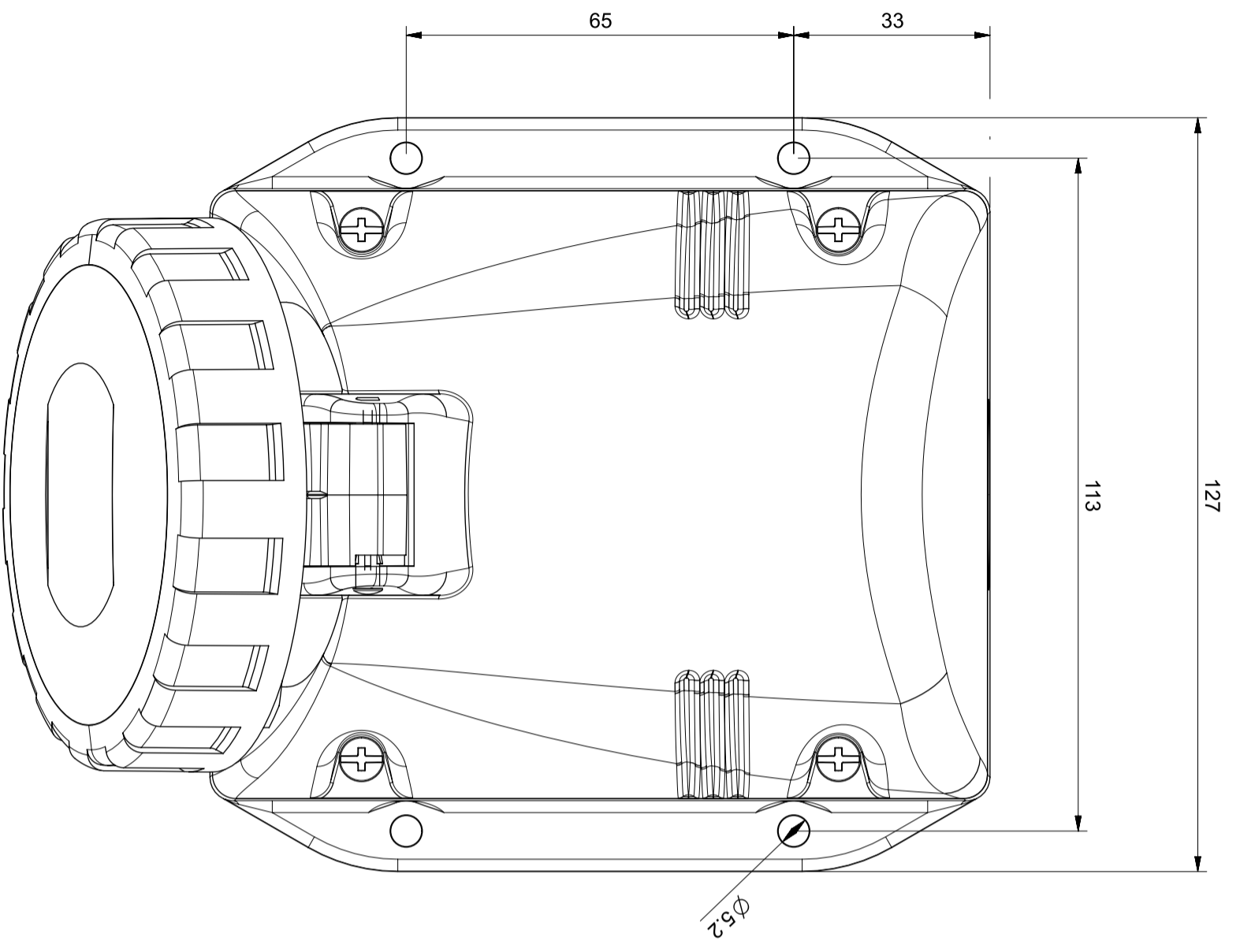
518.3254T

BASE MURAL

32A 3P+T 9h 200-250V 50Hz 60Hz Borne de tornillo

Product Approvals

TECHDATA		STANDARDS AND LAWS	
Tipo de producto	BASE MURAL	EN 60309-1 (1999)	[European Standard] Plugs, socket-outlets and couplers for industrial purposes. Part 1: General requirements
Serie comercial	Serie OPTIMA-TOP	EN 60309-2 (1999)	[European Standard] Plugs, socket-outlets and couplers for industrial purposes. Part 2: Dimensional interchangeability requirements for pin and contact-tube accessories of harmonized configurations
Descripción sintética	BASE MURAL		
Tipo de instalación	MURAL		
Intensidad nominal	32A	EN 60309-1/A1 (2007)	[European Standard] Plugs, socket-outlets and couplers for industrial purposes. Part 1: General requirements
Polos	3P+T	EN 60309-2/A1 (2007)	[European Standard] Plugs, socket-outlets and couplers for industrial purposes. Part 2: Dimensional interchangeability requirements for pin and contact-tube accessories of harmonized configurations
Posición de hora	9h		
Tensión nominal (range)	200-250V	EN 60309-1/A2 (2012)	[European Standard] Plugs, socket-outlets and couplers for industrial purposes. Part 1: General requirements
Tensión nominal	200-250V		
Frecuencia nominal	60Hz	EN 60309-2/A2 (2012)	[European Standard] Plugs, socket-outlets and couplers for industrial purposes. Part 2: Dimensional interchangeability requirements for pin and contact-tube accessories of harmonized configurations
Frecuencia nominal	50Hz		
Color	AZUL	DIRECTIVE LOW VOLTAGE 2014/35 /UE	[European Directives] Low Voltage Directive
Grado de protección	Watertight		
Grado de protección IP	IP66/IP67/IP69		
Tipos de salidas disponibles	INCLINADA		
Bornes	Borne de tornillo		
Salida del cable	M32X1,5		



At the end of the law, we reserve the ownership of this design may not be copied and transfer it to third parties or competitors	Format	A3	Scale	1:1	Mould N°		Drawn	SCAME
	Tolerances for linear and angular dimensions without indication of specific tolerances: JS13 / UNI EN20286						Date	
						Approved		

SCAME

S.p.A.
PARRE - (Bergamo)

DESCRIPTION

PRESA PAR. TOP OPTIMA 3P + T 32A IP67

CODICE Sheet 1 / 1

4001834