



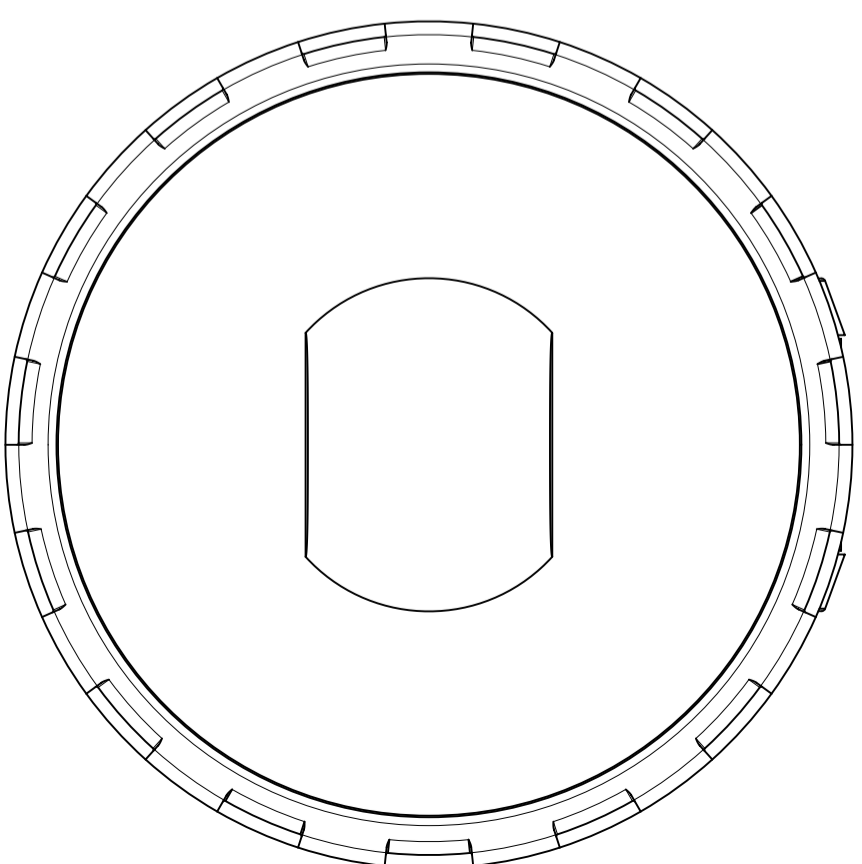
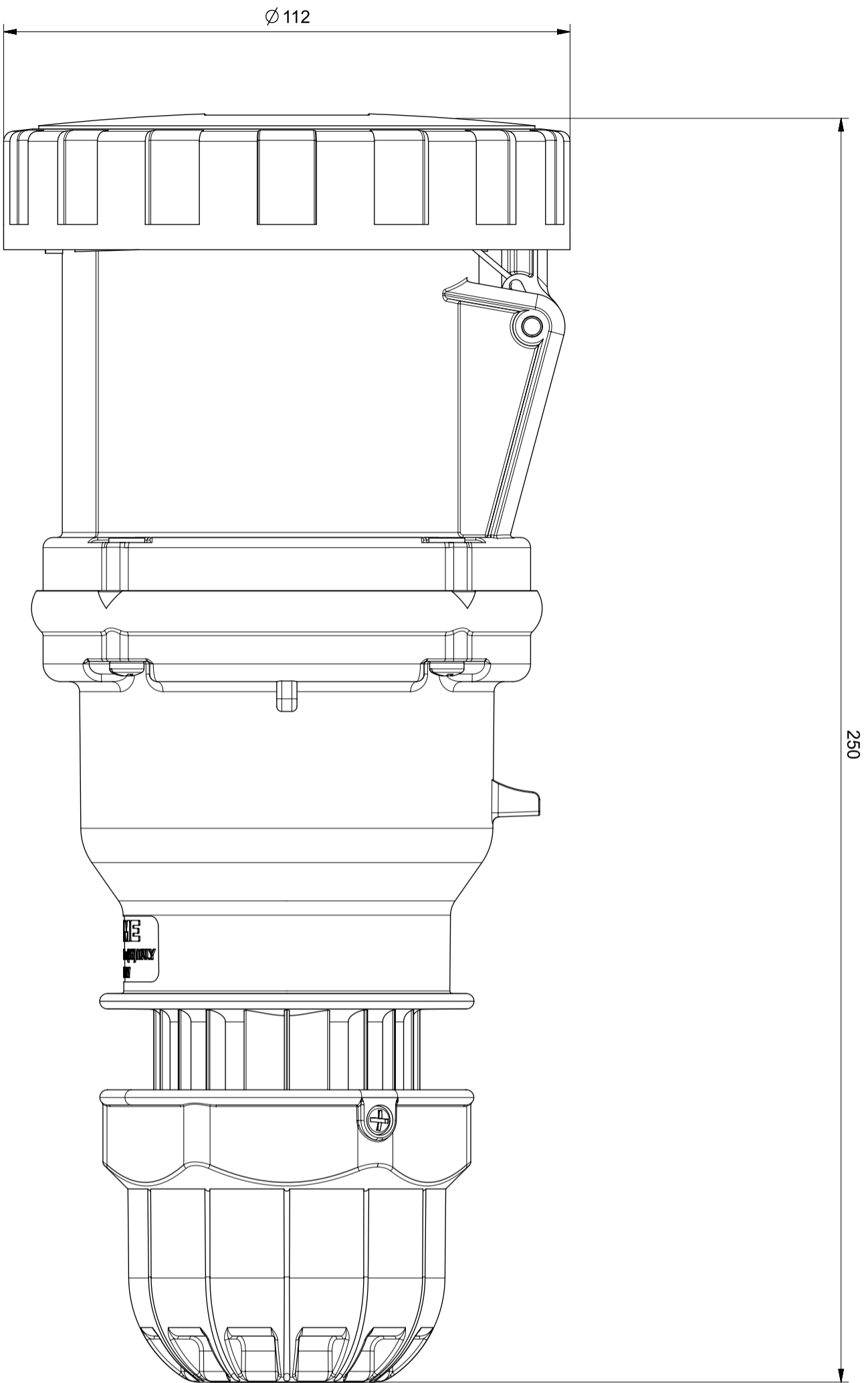
**318.6344**

## PROLONGADOR

63A 3P+T 9h 200-250V 50Hz 60Hz Bornes conexión brida tornillo

Product Approvals

TECHDATA		STANDARDS AND LAWS	
Serie comercial	Serie OPTIMA	EN 60309-1 (1999)	[European Standard] Plugs, socket-outlets and couplers for industrial purposes. Part 1: General requirements
Tipo de producto	PROLONGADOR	EN 60309-2 (1999)	[European Standard] Plugs, socket-outlets and couplers for industrial purposes. Part 2: Dimensional interchangeability requirements for pin and contact-tube accessories of harmonized configurations
Descripción sintética	PROLONGADOR		
Tipo de instalación	PORTÁTIL		
Intensidad nominal	63A	EN 60309-1/A1 (2007)	[European Standard] Plugs, socket-outlets and couplers for industrial purposes. Part 1: General requirements
Polos	3P+T	EN 60309-2/A1 (2007)	[European Standard] Plugs, socket-outlets and couplers for industrial purposes. Part 2: Dimensional interchangeability requirements for pin and contact-tube accessories of harmonized configurations
Posición de hora	9h		
Tensión nominal (range)	200-250V	EN 60309-1/A2 (2012)	[European Standard] Plugs, socket-outlets and couplers for industrial purposes. Part 1: General requirements
Tensión nominal	200-250V		
Frecuencia nominal	60Hz	EN 60309-2/A2 (2012)	[European Standard] Plugs, socket-outlets and couplers for industrial purposes. Part 2: Dimensional interchangeability requirements for pin and contact-tube accessories of harmonized configurations
Frecuencia nominal	50Hz		
Color	AZUL	DIRECTIVE LOW VOLTAGE 2014/35 /UE	[European Directives] Low Voltage Directive
Grado de protección	Watertight		
Grado de protección IP	IP66/IP67/IP69		
Tipos de salidas disponibles	RECTA		
Bornes	Bornes conexión brida tornillo		
Salida del cable	PRENSAESTOPAS		
Notas	EASY-PLUG		



250

Ø 112

At the end of the law, we reserve the ownership of this design may not be copied and transfer it to third parties or competitors	Format	A3	Scale	1:1	Mould N°	1000XXXX		Drawn	SCAME
	Tolerances for linear and angular dimensions without indication of specific tolerances: JS13 / UNI EN20286	DESCRIPTION	PRESA VOLANTE 3P+T 63A IP67 OPTIMA	Date	Approved				

**SCAME**

S.p.A.  
PARRE - (Bergamo)

CODICE Sheet 1 / 1

4000674